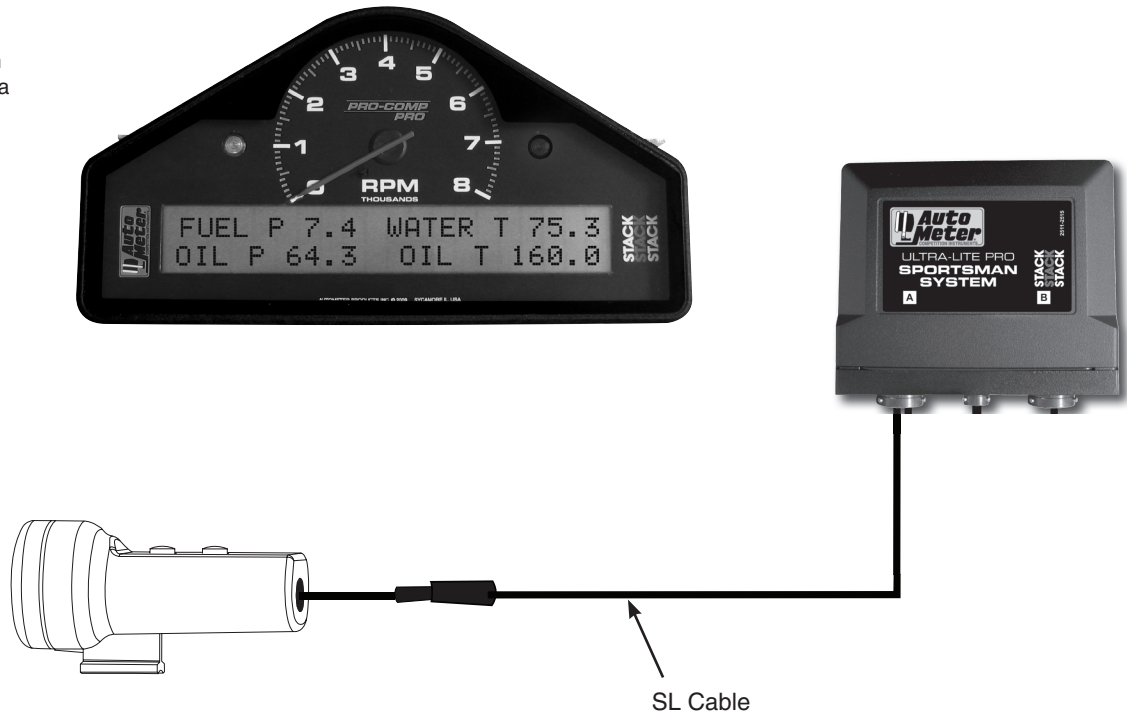


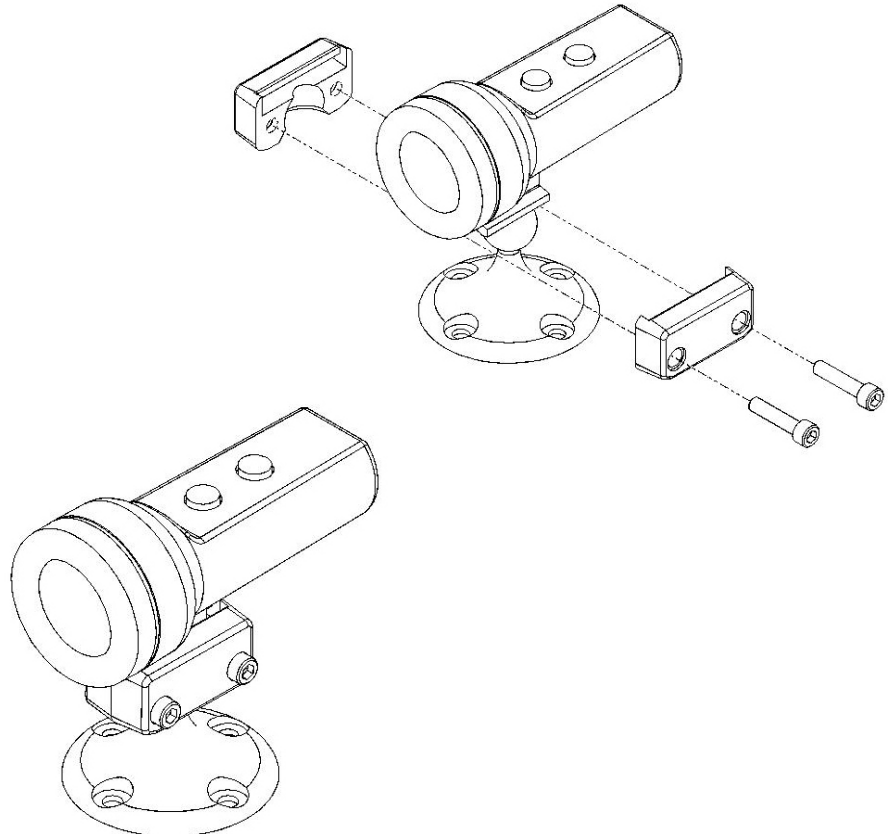
Wiring

Connect the 4 pin connector from the back of the shift light to the 4 pin connector marked "SL" from the data acquisition system.



Pedestal Mount Installation

1. Remove all pieces from packaging.
2. Install two #8-32 x 3/4" Allen screws into the clamps, tighten until snug. See diagram to right.
3. Position the Pedestal Mount on a flat surface in the desired mounting location.
4. Install and position the shift light in the desired location. Orient the shift light so it does not block the view of the driver. Using the four #8 x 5/8" self tapping screws, attach the pedestal to the surface.
5. Once the position has been decided, tighten the screws on the Clamp to 15 in./lbs.
6. If pilot holes are required use 5/32" drill bit. Remove shift light and clamp to allow of access when installing screws in mounting base. Once mounting base is secured re-install.



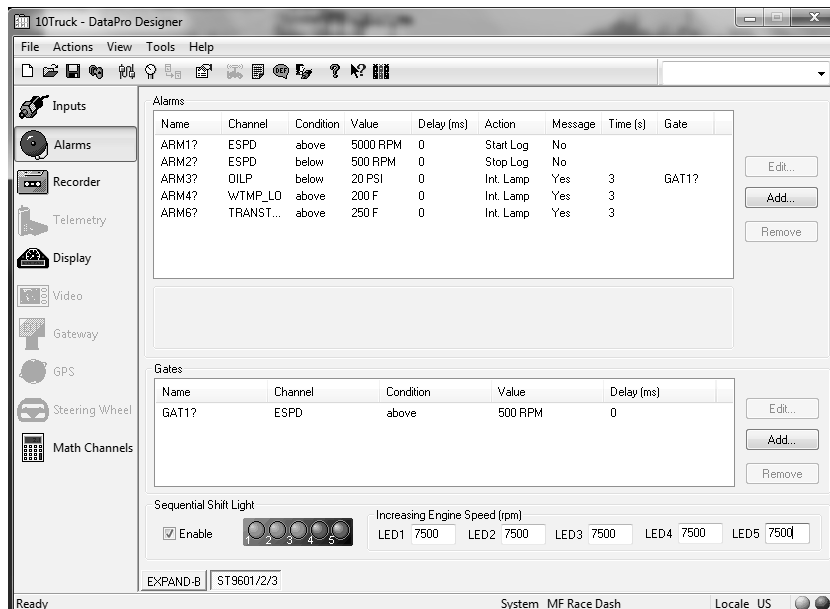
Button Function

- Shift point is set up in the DataPro software and uploaded to the drag logger system. Consult your Auto Meter Drag Logger instructions and Data Pro Designer for setup help. See picture and notes below for additional detail.

Dimming

- Momentarily press the front button to increase brightness.
- Momentarily press the back button to decrease brightness.

Note: All changes made are stored in the shift lights permanent memory



- Open DataPro Designer.
- Chose your configuration.
- Select alarms.
- Check Enable box on lower left screen.
- Set LED-1 through 5 on the RPM desired.

SERVICE

For service send your product to Auto Meter in a well packed shipping carton. Please include a note explaining what the problem is along with your phone number. If you are sending product back for Warranty adjustment, you must include a copy (or original) of your sales receipt from the place of purchase.

12 MONTH LIMITED WARRANTY

Auto Meter Products, Inc. warrants to the consumer that all Auto Meter High Performance products will be free from defects in material and workmanship for a period of twelve (12) months from date of the original purchase. Products that fail within this 12 month warranty period will be repaired or replaced at Auto Meter's option to the consumer, when it is determined by Auto Meter Products, Inc. that the product failed due to defects in material or workmanship. This warranty is limited to the repair or replacement of parts in the Auto Meter instruments. In no event shall this warranty exceed the original purchase price of the Auto Meter instruments nor shall Auto Meter Products, Inc. be responsible for special, incidental or consequential damages or costs incurred due to the failure of this product. Warranty claims to Auto Meter must be transportation prepaid and accompanied with dated proof of purchase. This warranty applies only to the original purchaser of product and is non-transferable. All implied warranties shall be limited in duration to the said 12 month warranty period. Breaking the instrument seal, improper use or installation, accident, water damage, abuse, unauthorized repairs or alterations voids this warranty. Auto Meter Products, Inc. disclaims any liability for consequential damages due to breach of any written or implied warranty on all products manufactured by Auto Meter.

FOR SERVICE SEND TO: **AUTO METER PRODUCTS, INC.** 413 W. Elm St., Sycamore, IL 60178 USA (866) 248-6357

Email us at service@autometer.com